



FHIT.30
Electrical Circuit Protective Systems

Page Bottom

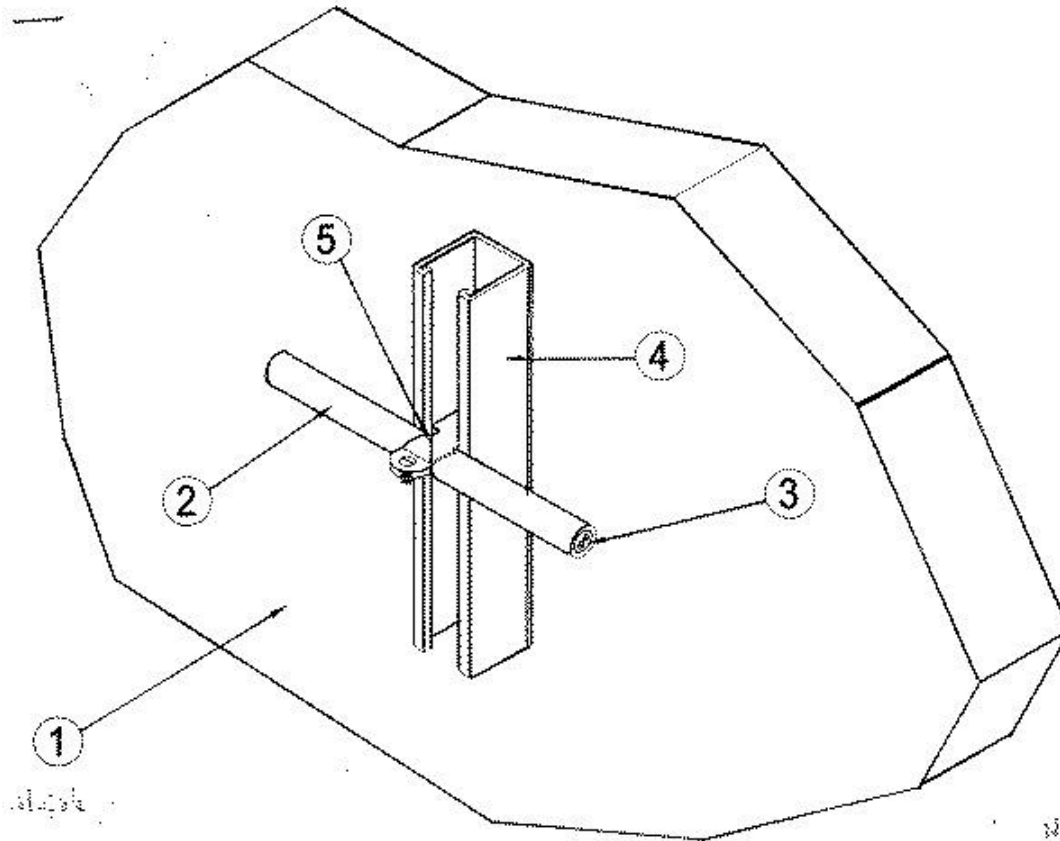
Electrical Circuit Protective Systems

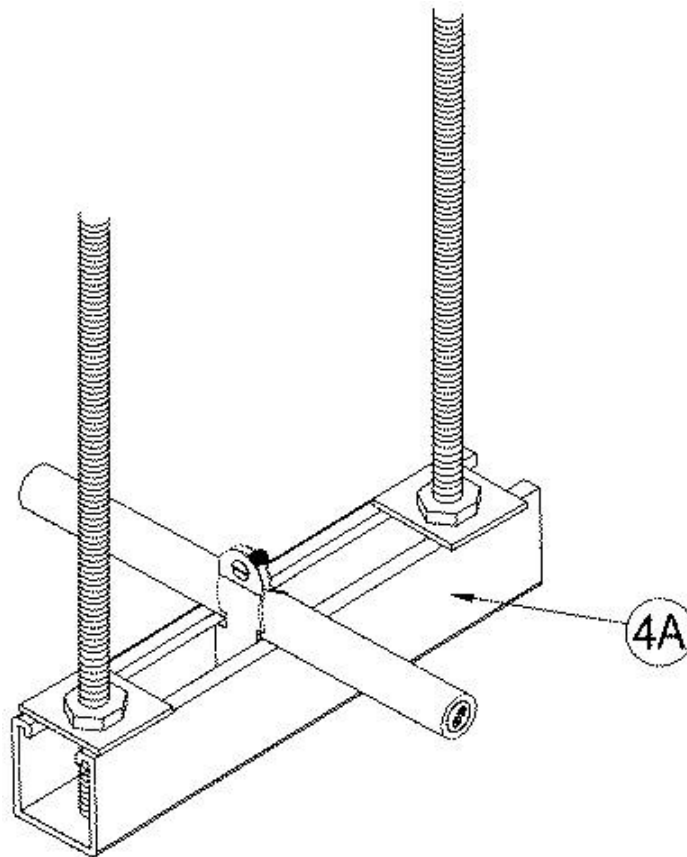
[See General Information for Electrical Circuit Protective Systems](#)

System No. 30

June 12, 2012

Fire Rating - 2 Hr.





1. **Wall or Floor Assembly** — Min 2 hr fire rated concrete or masonry wall or concrete floor. Through opening in wall or floor shall be firestopped using an approved firestop system. See Through-Penetration Firestop Systems (XHEZ) category for presently Classified firestop systems.

2. **Conduit**** — 1/2 in. (13 mm) diameter min trade size galvanized steel electrical metallic tubing (EMT). May also use UL Listed flexible metallic conduit not to exceed 6 ft (1.8 m) in length. All conduit is to have an interior coating free of zinc.

2A. **Conduit Coupling**** — (Not Shown) Steel electrical metallic tubing fitting — coupling, steel set screw type or compression type. All couplings are to have an interior coating free of zinc.

3. **Fire Resistive Cables*** — 18 AWG min, 2 or more conductors, Type FPLR shielded or unshielded cable. Hourly fire rating applies to continuous lengths of cable and coupled conduit passing completely through a fire zone and terminating a min of 12 in. (305 mm) beyond the fire rated wall or floor bounding the fire zone.

BELDEN WIRE & CABLE CO — Type FPLR

Hourly fire rating applies to continuous lengths of cable and coupled conduit passing completely through a fire zone and terminating a minimum of 12 in. beyond the fire-rated wall or floor bounding the fire zone. Cable and system components shall be installed in accordance with all provisions of the National Electrical Code and the manufacturer's installation instructions unless otherwise described in the system. Due to the increase in leakage current within the cables under fire exposure condition, the use of ground-fault circuit interrupters are not recommended for use with these cables.

4. **Supports** — Min 12 gauge by 1-1/2 or 1-5/8 in. (38 or 41 mm) wide, painted or galvanized, slotted steel channels with hemmed flange edges. Channel bottom with or without holes. Lengths of slotted steel channels 5 ft (1.5 m) and less shall be secured to the wall or floor with a min of two 1/4 in. (6 mm) diameter (or larger) by 2-1/4 in. (57 mm) min long concrete screws, or 1/4 in. (6 mm) diameter (or larger) by 1-3/4 in. (44 mm) long min steel masonry anchors. One screw or anchor to be located at each end of the slotted steel channel. Lengths of slotted steel channel in excess of 5 ft (1.5 m) require a min of three screws or anchors, one at each end of the channel and one centrally located within the length of the channel. Supports spaced max 60 in. (1.5 m) OC.

4A. **Supports** — As an alternate to Item 4, min 12 gauge by 1-1/2 or 1-5/8 in. (38 or 41 mm) wide, painted or galv, slotted steel channels with hemmed flange edges suspended horizontally, trapeze style, by min 3/8 in. (10 mm) diam threaded steel rods with 1-1/2 in. (38 mm) sq steel washers and steel nuts.

4B. **Cable Supports for Vertical Runs** — (Optional Not Shown). When installing cable(s) in vertical runs, the cable shall

be supported. When using Type FPLR cable, min conductor size 16 AWG, the maximum distance of cable support shall be 53 ft between terminating points. Type FPLR 18 AWG cable is not suitable for vertical runs.

5. **Clamps** — Two piece 14 gauge min steel single bolt type pipe clamp sized to correspond with the outside diameter of the conduit.

*Bearing the UL Classification Mark

**Bearing the UL Listing Mark

Last Updated on 2012-06-12

[Questions?](#)

[Print this page](#)

[Terms of Use](#)

[Page Top](#)

© 2012 UL LLC

When the UL Leaf Mark is on the product, or when the word "Environment" is included in the UL Mark, please search the [UL Environment database](#) for additional information regarding this product's certification.

The appearance of a company's name or product in this database does not in itself assure that products so identified have been manufactured under UL's Follow-Up Service. Only those products bearing the UL Mark should be considered to be Listed and covered under UL's Follow-Up Service. Always look for the Mark on the product.

UL permits the reproduction of the material contained in the Online Certification Directory subject to the following conditions: 1. The Guide Information, Designs and/or Listings (files) must be presented in their entirety and in a non-misleading manner, without any manipulation of the data (or drawings). 2. The statement "Reprinted from the Online Certifications Directory with permission from UL" must appear adjacent to the extracted material. In addition, the reprinted material must include a copyright notice in the following format: "© 2012 UL LLC".